



Akıllı Kontrolde Teknoloji Devi

SC100

HARDWARE MANUAL

- SC100

SERIAL DEVICE GATEWAY Series

04 / 2018

MIKRODEV_HM_SC100_EN

CONTENTS

1	SC100 GENERAL INFORMATION	7
1.1	Physical Interfaces	7
1.2	General Device Specifications	8
2	INSTALLATION INFORMATION.....	9
2.1	Rail Installation	9
3	CONNECTION DIAGRAMS	11
3.1	Supply Connection.....	11
3.2	RS485 SERIAL PORT	12
3.3	RS232 SERIAL PORT	13

FIGURES LIST



Figure 1 Connector and Physical Interfaces	7
Figure 2 Mounting.....	9
Figure 3 Demountage.....	10
Figure 4 Power Connection Diagram.....	11
Figure 5 RS485 Input Connection Diagram	12
Figure 6 RS232 Input Connection Diagram	13

Preface



Mikrodev SC100 Serial Device Gateway connects serial devices on RS232 and RS485 lines to TCP networks. The SC100 series converters are optionally connected to the TCP via GSM, ETHERNET or Wi-Fi networks.

In this document, you can find information about the hardware specifications of Mikrodev SC100 series devices.

Please follow our website www.mikrodev.com for the up to date version of the document.

About Mikrodev



Since 2006, MIKRODEV has been developing and manufacturing industrial control and communication products. MIKRODEV serves the system integrators in the public and private sector, OEM and end users.

Our products are manufactured complying with the quality standards required by the industrial automation industry and the quality of our products are proved on the field for many years

MIKRODEV is one of the few companies in the world that has its own designed IEC 61131-3 compliant library for its programmable logic control devices. In addition, the open, flexible, programmable SCADA solution developed by MIKRODEV is also available to customers.

MIKRODEV products' performance and wide range of applications make them possible for customers to achieve faster, simplified and cost-effective results.

WARNING!

- ✓ Please take care of the following issues when using Mikrodev devices.
- ✓ Since the unit operates with 24 VDC (12-36 VDC) voltage, you should take care of the voltage level that the unit is connected to. If a voltage above this voltage level is applied, the device may be damaged and may be out of warranty.
- ✓ Make sure that the energy connection of your device is connected to the ground or to a properly grounded terminal.
- ✓ Make sure that the environment in which your device is being used is free of moisture, electric shock, vibration and dust.
- ✓ Pay attention to the supply voltage and the connections of the product. Mikrodev is not responsible for any issues due to power failure since there is no auxiliary supply (UPS) on the device.
- ✓ The fuse to be used must be a FF super fast type and current limit value 1A.
- ✓ Do not use the device under conditions other than the environmental conditions specified in the "Electrical Specifications" section (humidity, dust, liquid and temperature, etc.)
- ✓ Removing the warranty label on the product or removing the protective case will void the warranty.
- ✓ Products that are damaged, boxes have been changed and other brand labels are affixed are not covered by the warranty.
- ✓ The appliance must not be cleaned with solvents (thinner, benzine, acid etc.) or with abrasive cleaning agents.
- ✓ Only dry cloth should be used when cleaning the appliance.
- ✓ Do not open the device by removing the case of the appliance, do not interfere with the electronic components and circuits. There is no user-replaceable part inside the device.
- ✓ If there is a problem or malfunction on your device, it should only be repaired by an authorized service. Installation and electrical connections must be made by technical personnel in accordance with the instructions in the operating manual.

Failure to comply with these rules may result in death, serious injury or property damage

1 SC100 GENERAL INFORMATION

1.1 Physical Interfaces

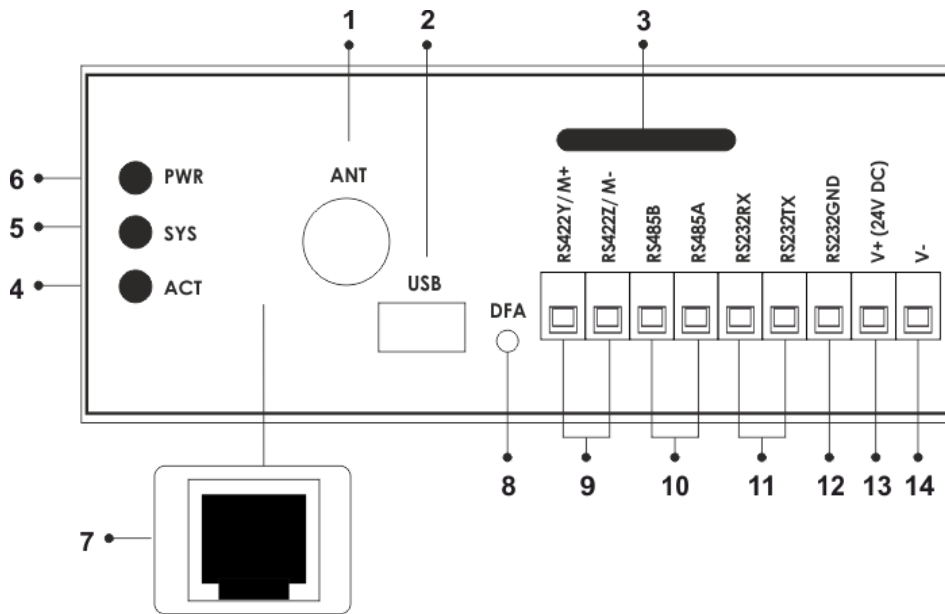


Figure 1 Connector and Physical Interfaces

1	GSM or WIFI antenna Connection
2	USB configuration port
3	SIM card Slot
4	Remote Connection Activity LED
5	System LED
6	POWER LED
7	Ethernet port
8	Factory Settings
9	M-BUS Connections
10	RS485 Connections
11	Rs232 TX-RX Connections
12	RS-232 Nötr Connection
13	DevicePower(V+)Connection(+24V)
14	DevicePower (V-)Connection

1.2 General Device Specifications

FEATURE	SECTION	DETAILS
Electrical	Supply	24 VDC
	Power	<5W
	Power Protection	Yes
Enviromental Conditions	Operating Temperature	-20 / +75 C
	Storage Temperature	-40 / +85 C
	Humidity	5..95 RH
Communication Ports	Ethernet Port	100 Mbit
	RS485	1 / 2 (Optional)
	RS232	1 / 2 (Optional)
Wireless Communication	GSM / GPRS	850/900/1800/1900MHz@GSM
	GSM / 3G	800/850/900/1900/2100MHz@UMTS 850/900/1800/1900MHz@GSM
	Wi-Fi	IEEE 802.11 b/g/n
Configuration	USB port	1
	Over TCP	Over ETH/Wi-Fi/GSM

2 INSTALLATION INFORMATION

2.1 Rail Installation

DIN Rail Mountage

First, the upper part of the device is mounted on the DIN rail. Then, with the help of the springs behind the device, when a lightly force is applied to the lower part, the device locates into the DIN rail easily and the montage is completed. (See 16 A - 16 B)

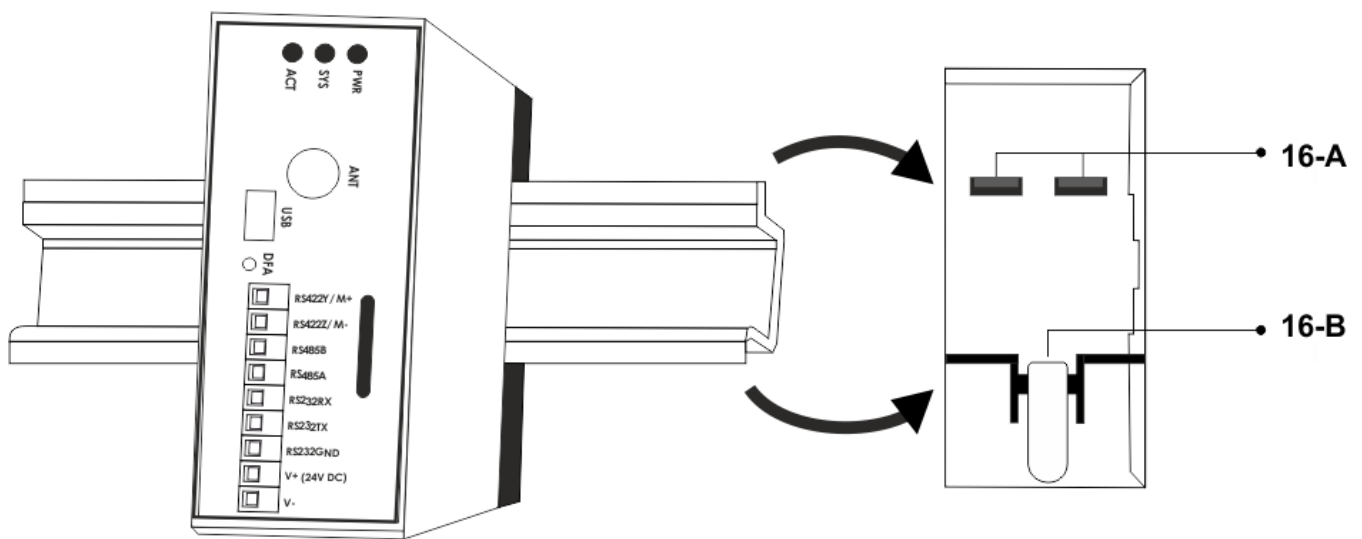


Figure 2 Mounting

DIN Rail Demountage

To demount the device, firstly it is pulled from the bottom using flexibility of the spring, the device is removed from the DIN Rail and the demounting is completed.

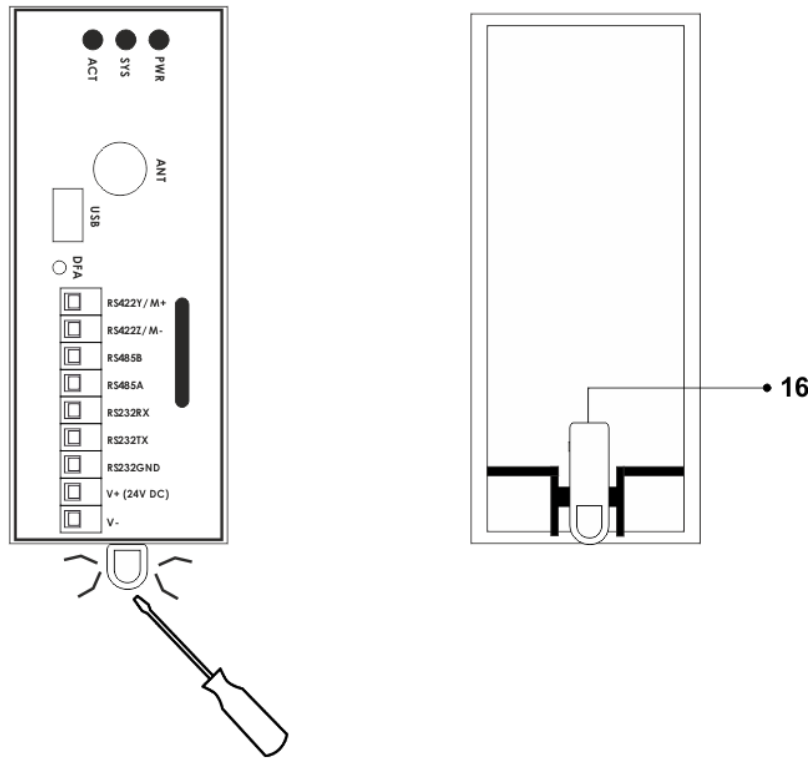


Figure 3 Demountage

3 CONNECTION DIAGRAMS

3.1 Supply Connection

Supply:	12-36 VDC, Protected
Power:	< 5 W

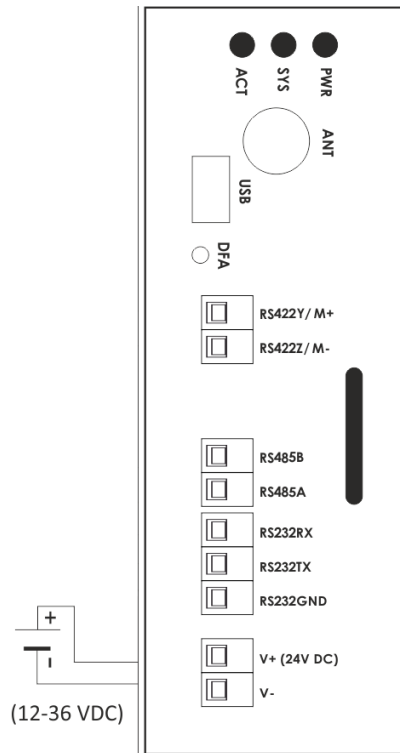


Figure 4 Power Connection Diagram

3.2 RS485 SERIAL PORT

RS485 port Count:	1
Isolation:	Galvanic
Maximum Slave Counts:	200
Communication Distance:	1000 m
Data Bits:	7-8
Stop Bits:	1-2
Parity:	None-Even-Odd
Baudrate:	300 bps to 200 kbps

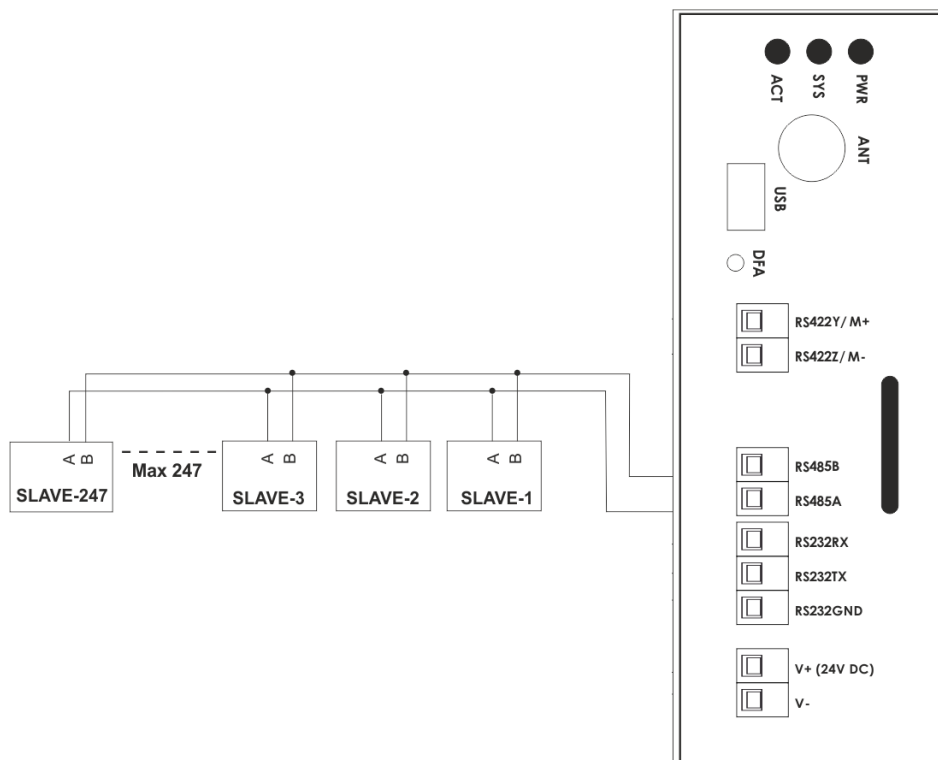


Figure 5 RS485 Input Connection Diagram

3.3 RS232 SERIAL PORT

RS232 port Count:	1
Pins:	TX – RX Only
Communication Distance:	10 m
Data Bits:	7-8
Stop Bits:	1-2
Parity:	None-Even-Odd
Baudrate:	300 bps to 200 kbps

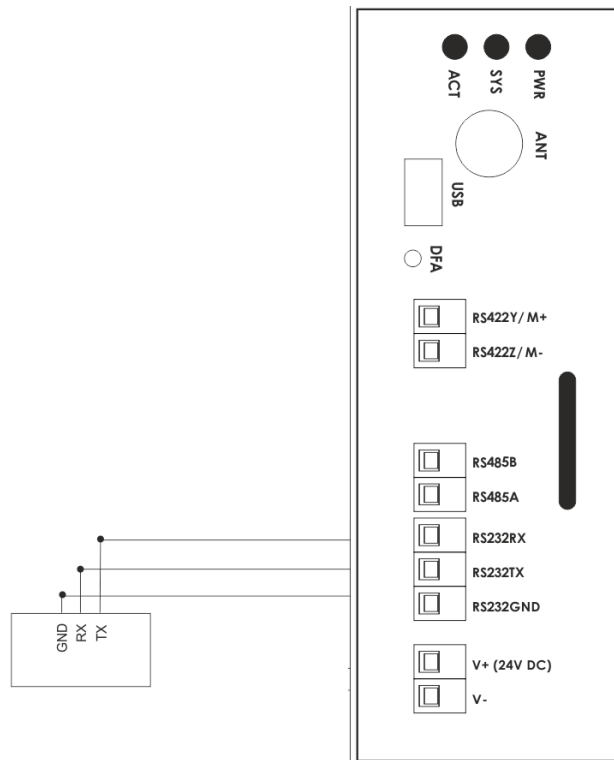


Figure 6 RS232 Input Connection Diagram

